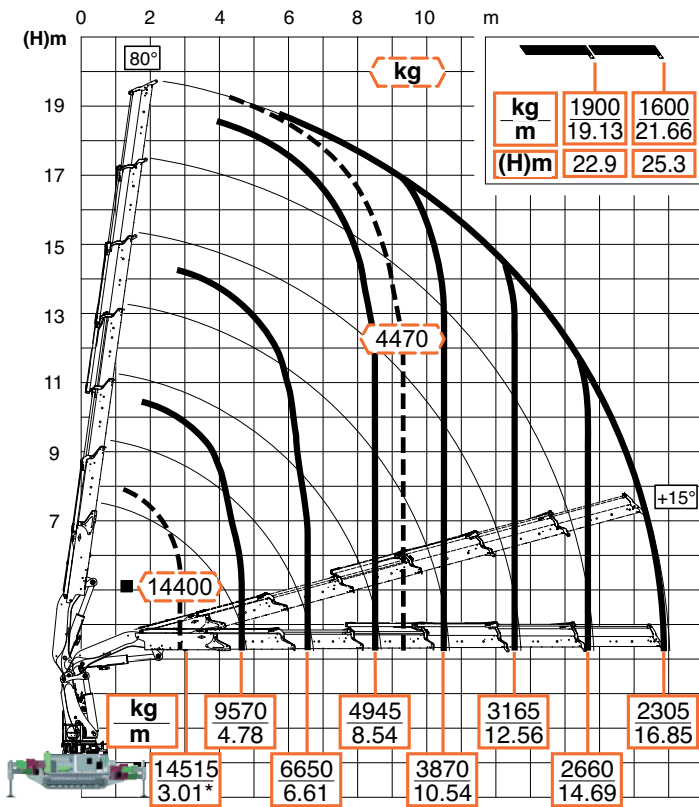


CWE 525

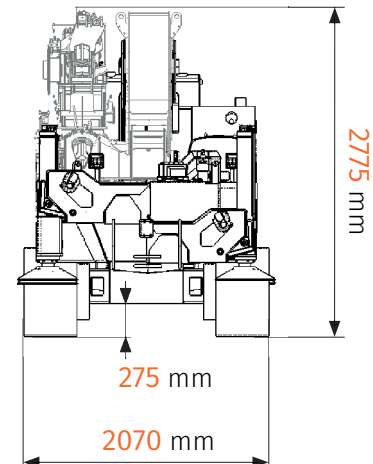
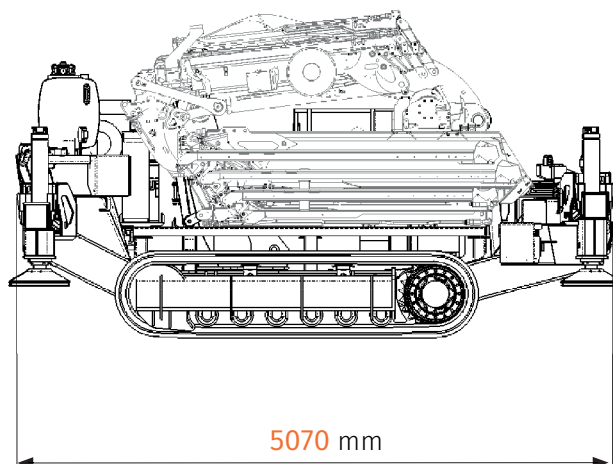
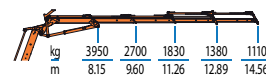
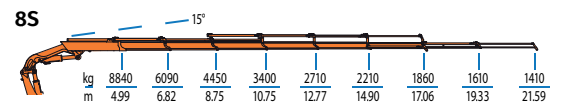
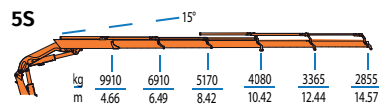
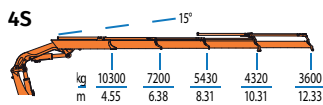
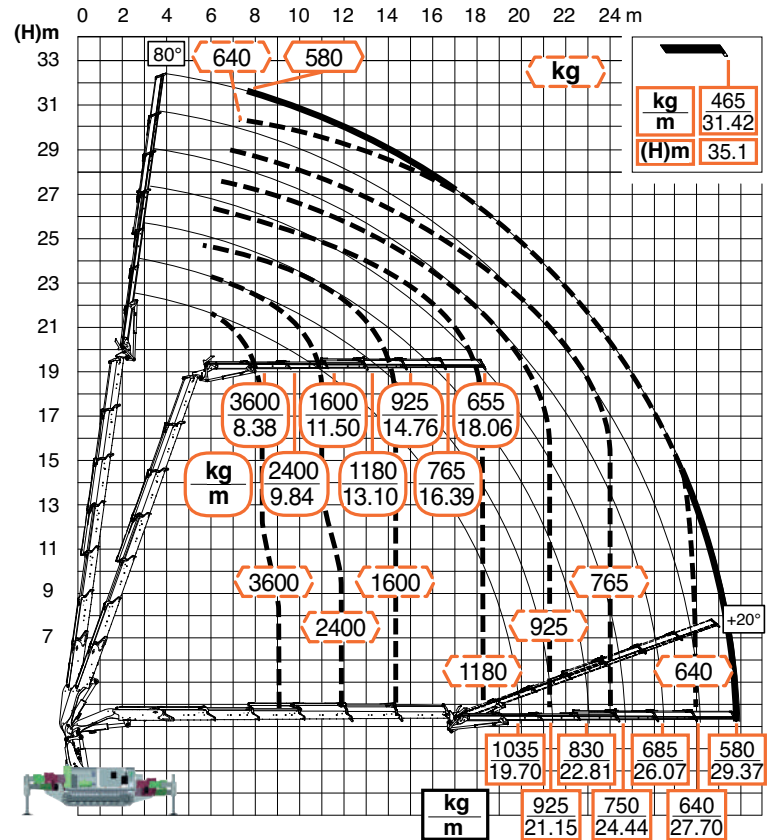
Tracked knuckleboom lifting solutions



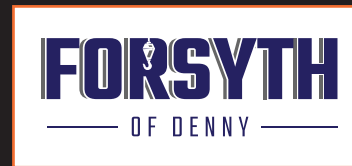
CWE 525 6S



CWE 525 6S + JIB 6S HD



> simple answers to complex **lifting** requests



Linesmen/Service Crew information.

[Approximate Evaluations/Site Dependant]

Safely erect + work on/above a 12m medium single pole
+ headgear at 27m radius. [550kg]

Safely erect + work on/above a 12m stout single pole
+ headgear at 25m radius. [720kg]

Safely erect + work on/above a 16m stout H-pole
+ headgear @ 11m radius. [2000kg]

[Above examples allow for hook/basket access above complete height of erected pole]

Basket work/500kg lifts to top of 30m steel tower structures @ 12m radius.

3t unit sub components at 12.5m radius.

2t Tx's to 4-pole structures @ 18m radius. [Under/over wires]

Pole Mounted Tx's [Under/over wires]

Great access for substation work.

Multiple short section boom means no requirement to have a traditional long boom machine within radius of live overhead and adjacent equipment.

Safety advantage gain with Low height knuckle/close-up work area, and reduction of exclusion zone requirement.

Only 2m width required for access, x 5m long. [+ can tow trailer]

Low ground pressures... 0.90 Kg/cm². Around the same as a walking adult!

Crane/2 man basket supplied as one unit.

[+Auger. Size? T.B.C. Awaiting tech confirmation from manufacturers]

An extensive range of access options available with this machine and with infinitely variable outrigger mapping an unrivalled ability to operate in even the tightest of spaces.

Belfast +44 2890 232595
Irvine +44 1294 204860
Stirling +44 1324 392350

Email: info@windhoist.co.uk