

# Load

## 30 TON LOAD CHART (0-2 DEGREE SLOPE), 360 Degree Capacities in tons

LOADCHART @ 75 % rating													
Radius		Loaded Boom Angle	TRACKS EXTENDED										
			Firm level Ground 360° Rating										
Ft.	Mtr.	°	Boom Length feet / meter										
			28 ft 8,5 m	47 ft 14,2 m	62 ft 18,8 m	77 ft 23,3 m	92 ft 27,9 m						
5,0	1,5	79°	60.500 lbs 27,5 t										
8,0	2,4	75°	49.475 lbs 22,5 t										
10,0	3,0	70°	44.725 lbs 20,3 t	79°	22.150 lbs 10,1 t								
12,0	3,6	66°	39.200 lbs 17,8 t	76°	22.150 lbs 10,1 t	80°	20.000 lbs 9,1 t						
15,0	4,5	59°	32.225 lbs 14,6 t	73°	22.150 lbs 10,1 t	78°	18.525 lbs 8,4 t	80°	14.150 lbs 6,4 t				
20,0	6,1	45°	23.200 lbs 10,5 t	66°	21.350 lbs 9,7 t	73°	16.750 lbs 7,6 t	77°	12.975 lbs 5,9 t	80°	9.925 lbs 4,5 t		
25,0	7,6	27°	16.350 lbs 7,4 t	59°	16.725 lbs 7,6 t	68°	14.750 lbs 6,7 t	73°	11.900 lbs 5,4 t	76°	9.125 lbs 4,2 t		
30,0	9,1			52°	12.700 lbs 5,8 t	63°	12.600 lbs 5,7 t	69°	10.500 lbs 4,8 t	73°	8.300 lbs 3,8 t		
35,0	10,6			43°	10.050 lbs 4,6 t	58°	10.150 lbs 4,6 t	65°	9.325 lbs 4,2 t	70°	7.475 lbs 3,4 t		
40,0	12,1			33°	8.150 lbs 3,7 t	52°	8.275 lbs 3,8 t	61°	8.450 lbs 3,8 t	67°	6.750 lbs 3,1 t		
45,0	13,6			17°	6.750 lbs 3,1 t	45°	6.875 lbs 3,1 t	57°	6.925 lbs 3,2 t	64°	6.075 lbs 2,8 t		
50,0	15,2					38°	5.775 lbs 2,6 t	52°	5.850 lbs 2,7 t	60°	5.500 lbs 2,5 t		
55,0	16,7					29°	4.925 lbs 2,2 t	47°	4.975 lbs 2,3 t	56°	4.925 lbs 2,2 t		
60,0	18,2					15°	4.200 lbs 1,9 t	41°	4.275 lbs 1,9 t	52°	4.325 lbs 2,0 t		
65,0	19,7							34°	3.675 lbs 1,7 t	48°	3.825 lbs 1,7 t		
70,0	21,2							26°	3.175 lbs 1,5 t	43°	3.225 lbs 1,5 t		
75,0	22,7							14°	2.750 lbs 1,3 t	38°	2.800 lbs 1,3 t		
80,0	24,2									32°	2.425 lbs 1,1 t		
85,0	25,8									25°	2.100 lbs 1,0 t		
90,0	27,3									13°	1.800 lbs 0,8 t		
Boom horizontal			9.460 lbs 4,3 t	0°	4.320 lbs 2,0 t	0°	2.470 lbs 1,1 t	0°	1.350 lbs 0,6 t	0°	600 lbs 0,3 t		

Meets ANSI/ASME B 30.5 and DIN 15018 DIN 15019 Requirements

Note: When using auxiliary boom head, loads are limited to the above AND maximum single part line pull of 9,500 pounds for 5/8" 6x 25 IWRC wire rope or 9,080 pounds for 5/8" Rotation Resistant wire rope. Only single part reeving is allowed.

JIB CHART @ 75%									
TRACKS EXTENDED FULLY EXTENDED BOOM									
Firm level Ground 360° Rating									
20 Foot 6 Meter swing around jib									
Loaded Boom Angle	JIB OFFSET Angle in degrees								
	0°	15°	30°	45°	60°	75°	90°	105°	120°
80°	5.000 lbs 2,27 t	80° 2.715 lbs 1,24 t	80° 1.970 lbs 0,90 t						
78°	4.450 lbs 2,02 t	78° 2.600 lbs 1,18 t	78° 1.925 lbs 0,88 t						
75°	3.860 lbs 1,76 t	75° 2.390 lbs 1,09 t	75° 1.830 lbs 0,84 t						
70°	3.175 lbs 1,45 t	70° 2.150 lbs 0,98 t	70° 1.720 lbs 0,79 t						
65°	2.715 lbs 1,24 t	65° 1.970 lbs 0,90 t	65° 1.630 lbs 0,74 t						
60°	2.390 lbs 1,09 t	60° 1.830 lbs 0,84 t	60° 1.570 lbs 0,72 t						
55°	2.150 lbs 0,98 t	55° 1.720 lbs 0,79 t	55° 1.515 lbs 0,69 t						
50°	1.970 lbs 0,90 t	50° 1.630 lbs 0,74 t	50° 1.480 lbs 0,68 t						
45°	1.830 lbs 0,84 t	45° 1.570 lbs 0,72 t	45° 1.450 lbs 0,66 t						
40°	1.720 lbs 0,79 t	40° 1.515 lbs 0,69 t	40° 1.435 lbs 0,66 t						
35°	1.570 lbs 0,72 t	35° 1.480 lbs 0,68 t	35° 1.430 lbs 0,65 t						
30°	1.430 lbs 0,65 t	30° 1.385 lbs 0,63 t	30° 1.310 lbs 0,60 t						
25°	1.275 lbs 0,58 t	25° 1.250 lbs 0,57 t							
20°	1.140 lbs 0,52 t	20° 1.120 lbs 0,51 t							
15°	1.020 lbs 0,47 t	15° 1.020 lbs 0,47 t							
10°	925 lbs 0,42 t								
5°	875 lbs 0,40 t								
0°	825 lbs 0,38 t								

**Information:** Load ratings above the heavy line are Structurally limited capacities. Load ratings below the heavy line are stability limited capacities and do not exceed 75% of tipping.

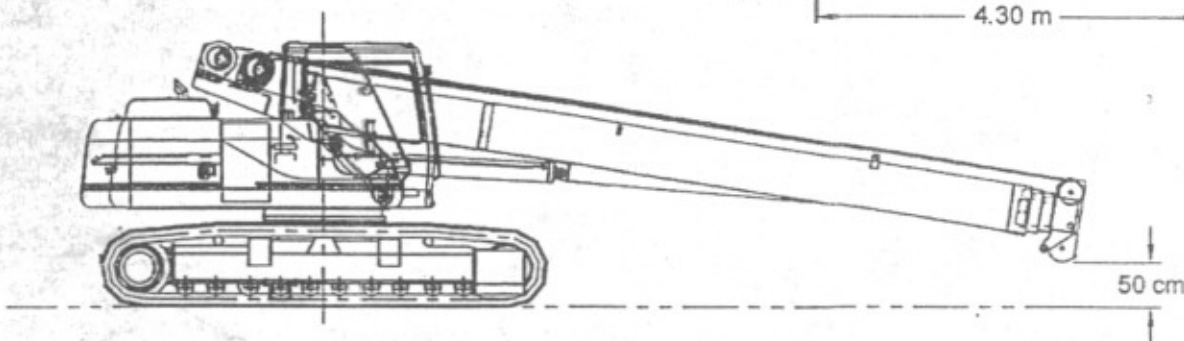
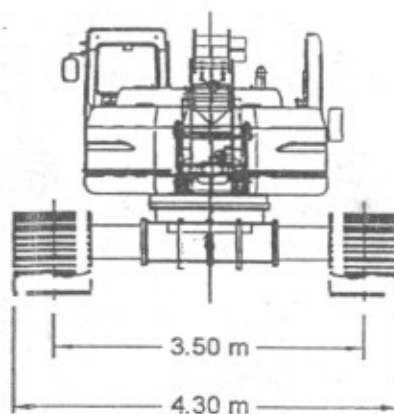
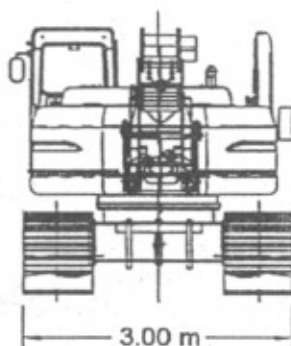
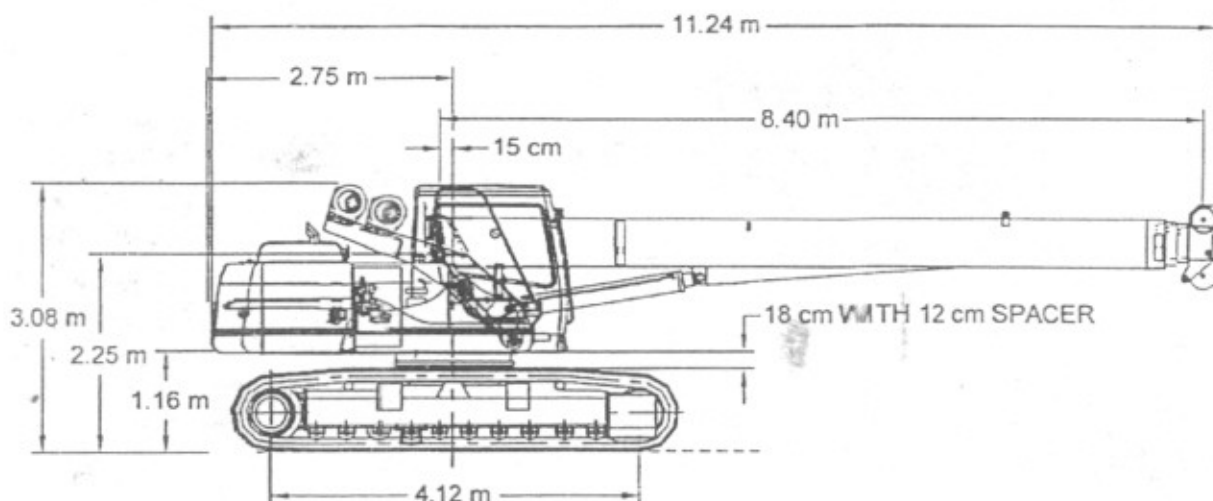
Meets ANSI/ASME B 30.5 and DIN 15018 DIN 15019 Requirements

PRELIMINARY JIB CHART @ 75%									
TRACKS EXTENDED FULLY EXTENDED BOOM									
Firm level Ground 360° Rating									
Loaded Boom Angle	fixed jib				telescopic jib				
	26 ft	8 m	46 ft	14 m	26 ft	8 m	46 ft	14 m	
79°	5.600 lbs 2,55 t	79° 2,55 t	79° 5.400 lbs 2,46 t						
77°	5.300 lbs 2,41 t	77° 2,41 t	77° 5.100 lbs 2,32 t	79° 3.400 lbs 1,55 t					
75°	4.960 lbs 2,26 t	75° 2,26 t	75° 4.700 lbs 2,14 t	77° 3.300 lbs 1,50 t					
72°	4.490 lbs 2,04 t	72° 2,04 t	72° 4.230 lbs 1,92 t	76° 3.200 lbs 1,46 t					
70°	4.080 lbs 1,86 t	70° 1,86 t	70° 3.820 lbs 1,74 t	74° 3.040 lbs 1,38 t					
67°	3.710 lbs 1,69 t	67° 1,69 t	67° 3.440 lbs 1,57 t	72° 2.800 lbs 1,28 t					
65°	3.380 lbs 1,54 t	65° 1,54 t	65° 3.100 lbs 1,41 t	69° 2.670 lbs 1,22 t					
62°	3.080 lbs 1,40 t	62° 1,40 t	62° 2.810 lbs 1,28 t	67° 2.480 lbs 1,13 t					
59°	2.820 lbs 1,28 t	59° 1,28 t	59° 2.540 lbs 1,16 t	65° 2.310 lbs 1,05 t					
56°	2.470 lbs 1,13 t	56° 1,13 t	56° 2.180 lbs 0,99 t	63° 2.110 lbs 0,96 t					
53°	2.070 lbs 0,94 t	53° 0,94 t	53° 1.770 lbs 0,81 t	60° 1.940 lbs 0,89 t					
50°	1.720 lbs 0,79 t	50° 0,79 t	50° 1.430 lbs 0,65 t	58° 1.770 lbs 0,81 t					
46°	1.420 lbs 0,65 t	46° 0,65 t	46° 1.130 lbs 0,52 t	55° 1.580 lbs 0,72 t					
42°	1.160 lbs 0,53 t	42° 0,53 t	42° 870 lbs 0,40 t	52° 1.320 lbs 0,60 t					
38°	930 lbs 0,43 t	38° 0,43 t	38° 640 lbs 0,30 t	49° 1.080 lbs 0,50 t					

**Information:** Load ratings above the heavy line are Structurally limited capacities. Load ratings below the heavy line are stability limited capacities and do not exceed 75% of tipping.

Meets ANSI/ASME B 30.5 and DIN 15018 DIN 15019 Requirements

# Dimensions



# Address information

HOOFDKANTOOR  
LOP & VERHUUR

Schoebroekstraat 40  
3583 PAAL - BERINGEN  
Tel.: +32.11.450 950  
Fax: +32.11.450 951

WEST NV  
O. - W. VLAANDEREN

Industriepark Hulstlo  
8730 BEERNEM  
Tel.: +32.50. 79 12 48  
Fax: +32.50. 78 98 11

KRANE KG  
ARCOMET GmbH & Co

Rudower Chaussee 8  
12489 BERLIN  
Tel.: +49.30.67 76 71 60  
Fax: +49.30.67 76 71 61

SERVICE NV  
HOOFDCENTRALE

Schoebroekstraat 40  
3583 PAAL - BERINGEN  
Tel.: +32.11.450 900  
Fax: +32.11.450 901

H.R. Hasselt 81.216 - B.T.W. BE 447.621.643  
K.B. 451-2506131-74 - B.B.L. 335-0380125-28 - Deutsche Bank 826-2804470-23 - PARIBAS 550-3797700-46  
K.B. Berlin 503422 - BLZ 12020200